



providing solutions for each industry

OIL & GAS

www.tungaloy.com

INDUSTRY SOLUTIONS



Tungaloy's tooling solutions for Oil & Gas Industry

The Oil & Gas industry is usually divided into three main segments: upstream, midstream and downstream. Deep water operations particularly are among the most important and challenging exploration and production frontiers today, the success of which offers a unique opportunity for adding significantly to the world's proven oil reserves.

Going deeper and deeper into the sea means unprecedented technological challenges. The equipment involved in this challenging environment must be carefully designed using state-of-the-art technology and advanced engineering.

There is also growing demand for machining exotic materials and expensive materials in the Oil & Gas industry. In order to meet these challenges and maintain economical productivity at the same time, TUNGALOY has developed advanced, innovative cutting tools and guarantees technical and logistic support to each customer through a strong global network.

Tungaloy is committed to creating solutions for a better greener environment.





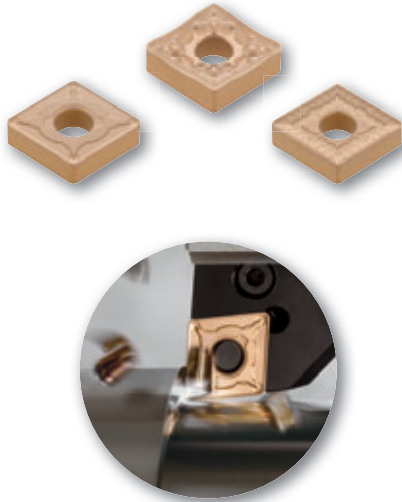
Pipes
Rock Bits
Pressure Valves



TurnLine
THS, TUS & TRS
TUNGALOY

Turning

Ultimate chipbreaker for taper turning. Superior chip evacuation for medium to heavy duty cuts and/or varying depths of cut.



ToolLine
TUNGCAP
TUNGALOY

Tooling

Quick-changeable, polygon shank coupling. Highly productive tooling system to drastically reduce tool change time.



TurnLine
TUNG T^{URN} T^{JET}
TUNGALOY

Turning & Threading

Coolant pressure of up to 20 MPa propels from the holder in two directions to break the chip and improve chip control and tool life, enabling increased cutting parameters to be applied.



Pipes for Tubing & Drill

PIPE SOLUTIONS

TurnLine
TUNGTHREAD
TUNGALOY

Threading

Tungaloy provides popular international standards like **API**, **ANSI/ASME**, and **GOST**; as well as inserts for **Premium Connections**. TungThread ensures superb hydraulic sealing in today's oil and gas components.

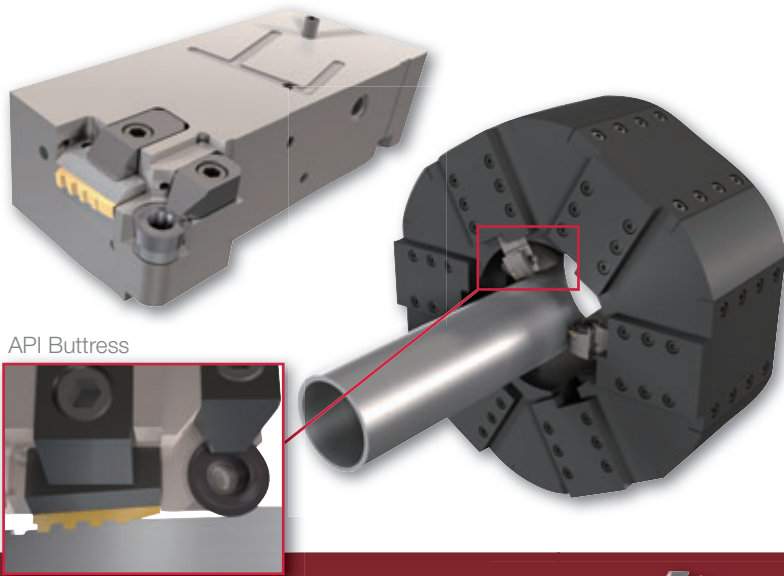


Wide range of threading tools for your target solution

TurnLine
TAILOREDTOOL
TUNGALOY

Turning & Threading

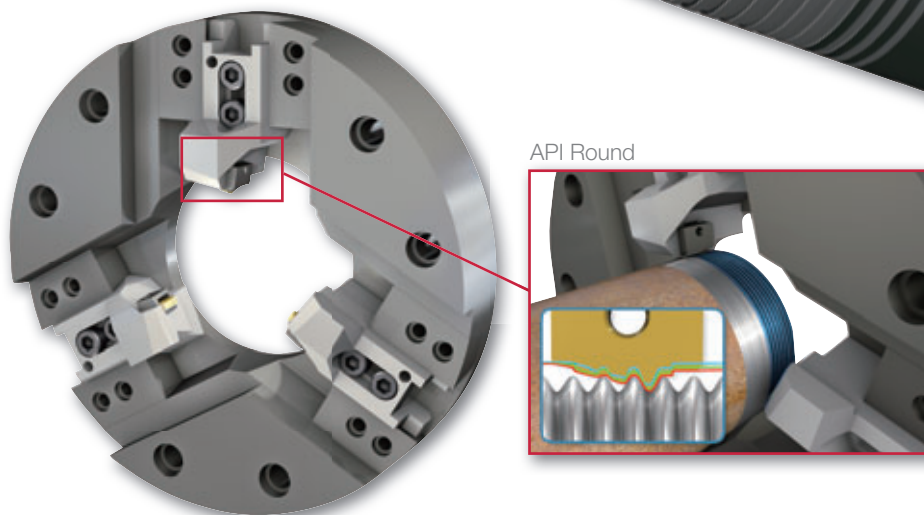
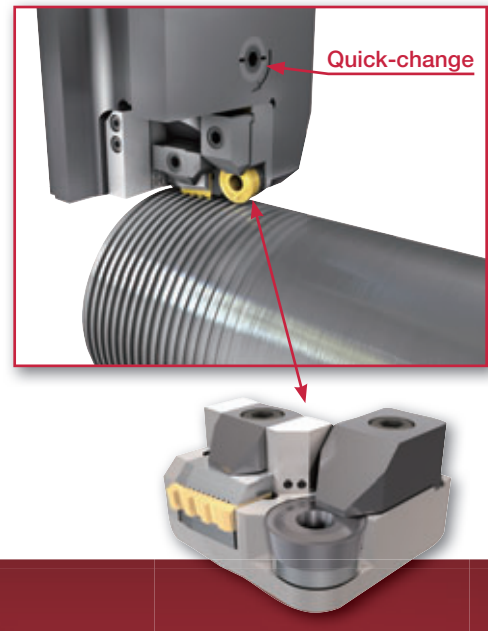
Tungaloy's competence in tailored tooling for the oil and gas industry is to produce special cartridge systems with various thread configurations for the center-drive lathe.



TurnLine
TAILOREDTOOL
TUNGALOY

Quick-change system

Tungaloy's original clamping system ensures rigid clamping, high index repeatability, and easy operation for improved tool change time and productivity.



■ GrooveLine

PARTING-OFF SOLUTIONS

Tungaloy is capable of providing tailored tooling solutions in any given environment. Building a rigid clamp system for the center-drive lathe is one of the competences Tungaloy has to offer to efficiently part-off large diameter tubes.



Couplings

PIPE SOLUTIONS

■ TurnLine

TUNGTHREAD

Threading

TungThread with exchangeable head incorporates common international standards like API, ANSI/ASME, and GOST; as well as inserts for Premium Connections. The head can be replaced without removing the shank from the machine turret, minimizing tool change time. Varieties of thread applications are available including robust Tung T-Clamp, laydown, tangential, and chaser to address various needs from the oil and gas industry.



Tung T-Clamp

Chaser

Laydown

On edge

TurnLine

TAILOREDTOOL

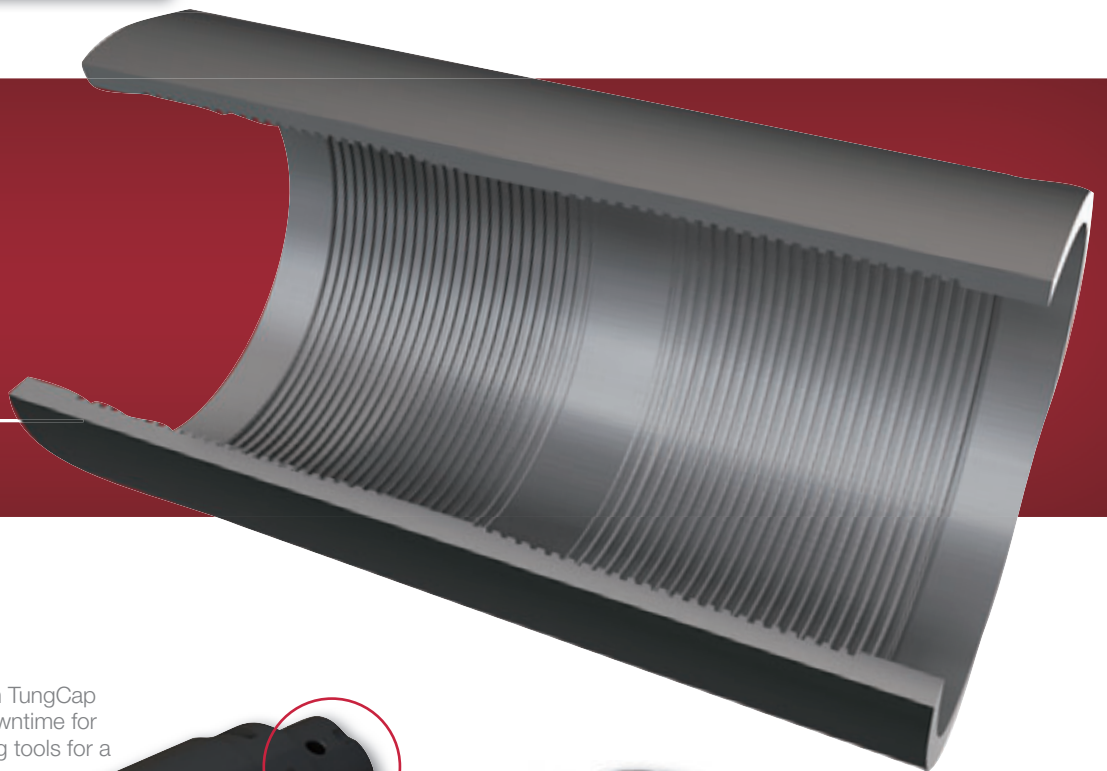
Turning & Threading

A tailored tool for ISO turning and threading combination improves tool change time and economy. TungCap interface further increases productivity and cycle time.

Boring



Threading

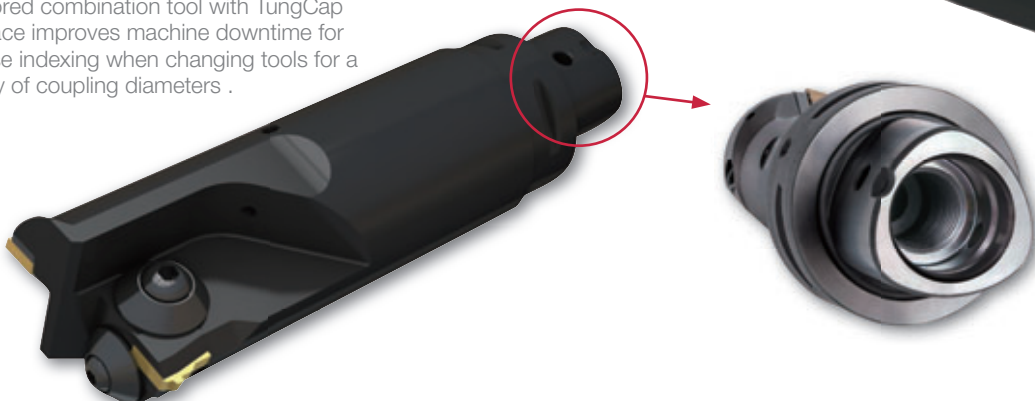


ToolLine

TUNGCAP

Tooling

A tailored combination tool with TungCap interface improves machine downtime for precise indexing when changing tools for a variety of coupling diameters.

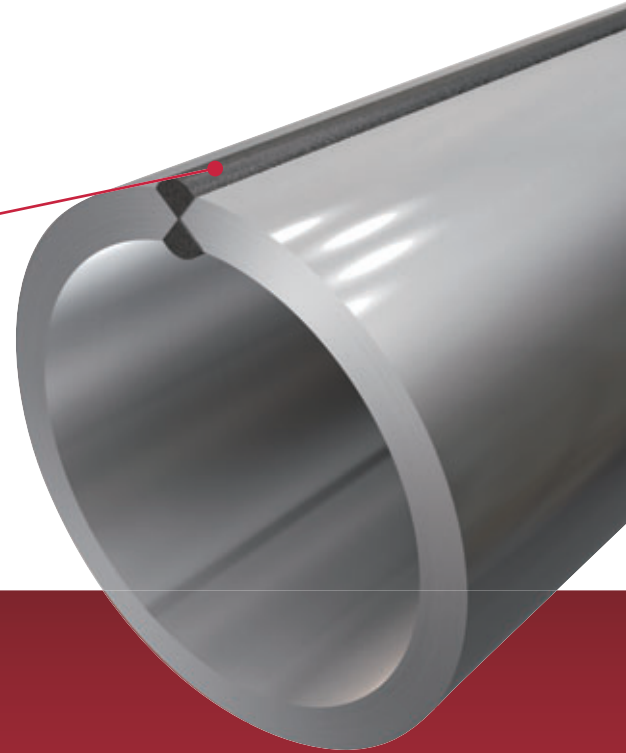
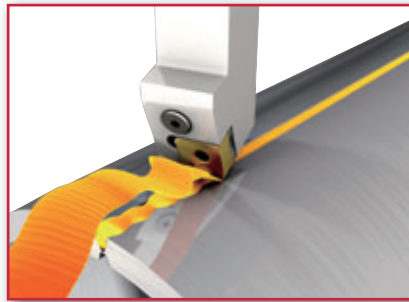
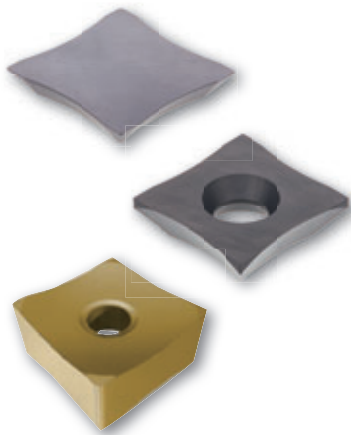


TurnLine

TAILOREDTOOL
TUNGALOY

External scarfing

Tungaloy provides a wide range of inserts for external scarfing.



Welded Pipes

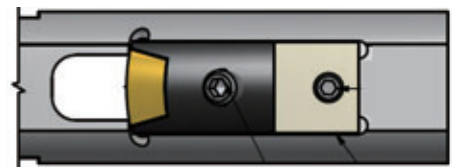
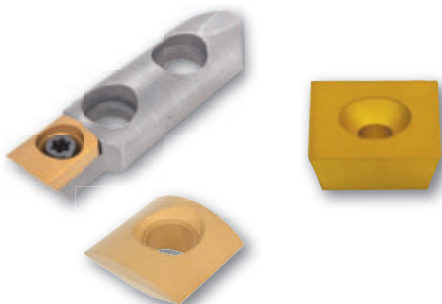
PIPE SOLUTIONS

TurnLine

TAILOREDTOOL
TUNGALOY

Internal scarfing

Tungaloy offers scarfing rings and tangential inserts for internal scarfing.



■ DrillLine

DRILLMEISTER
TUNGALOY

Drilling

Tungaloy's exchangeable head drills enhance tool life for maximum productivity. The Optimized insert geometry and robust drill body have technical advantages to machine components even in extreme environments.

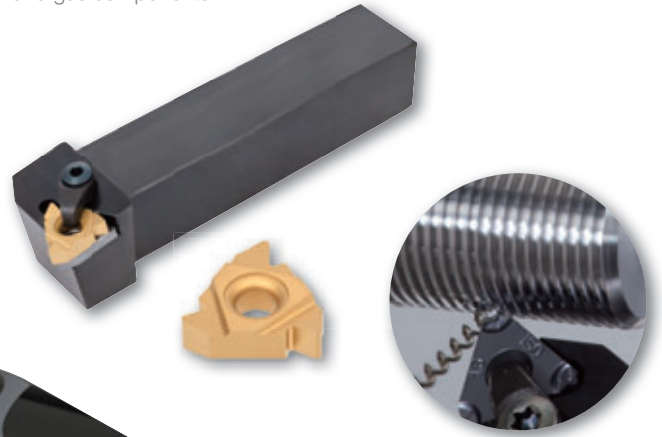


■ TurnLine

TUNGTHREAD
TUNGALOY

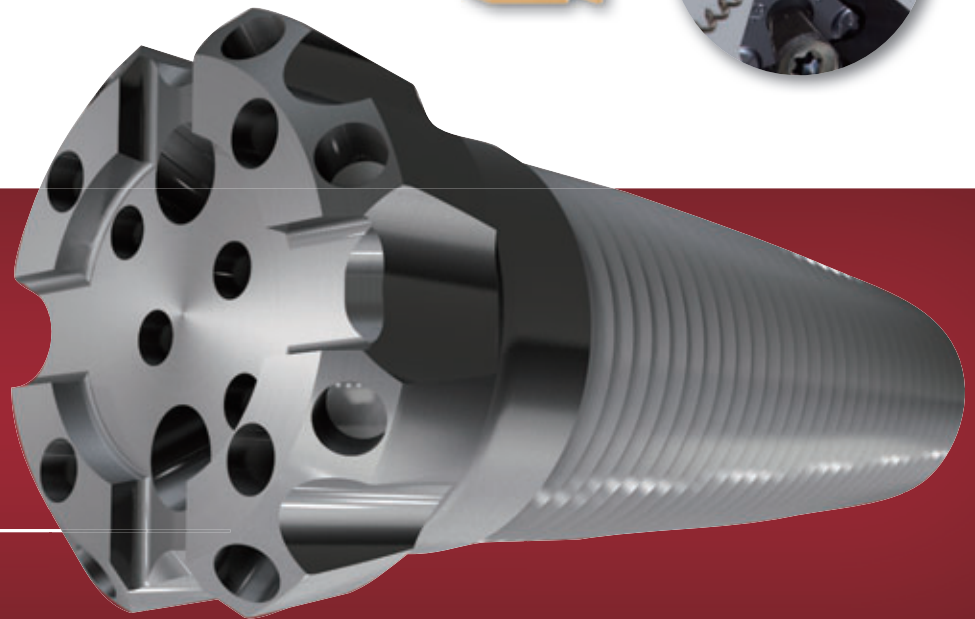
Threading

Tungaloy provides threading solutions for a variety of connections like API rotary shoulder connection. TungThread ensures superb hydraulic sealing in today's oil and gas components.



Drill Head

ROCK BITS SOLUTIONS



■ MillLine

TUNGMEISTER
TUNGALOY

Milling

Replaceable head endmills are an ideal solution for finishing drill bit seats due to its outstanding tool economy. TungMeister is engineered to deliver quality performance and longer tool life to component manufacturers for the oil and gas industry.



Member IMC Group
Tungaloy

■ DrillLine
DRILLMEISTER
TUNGALOY

Drilling

Available with an easy-to-mount chamfering adaptor, DrillMeister is capable of machining a hole and chamfer in one operation. Optimized drill head geometry and robust drill body provide technical advantages for manufacturers of components dedicated for use in an extreme environment.



■ DrillLine
TUNG-SIX-DRILL
TUNGALOY

Drilling

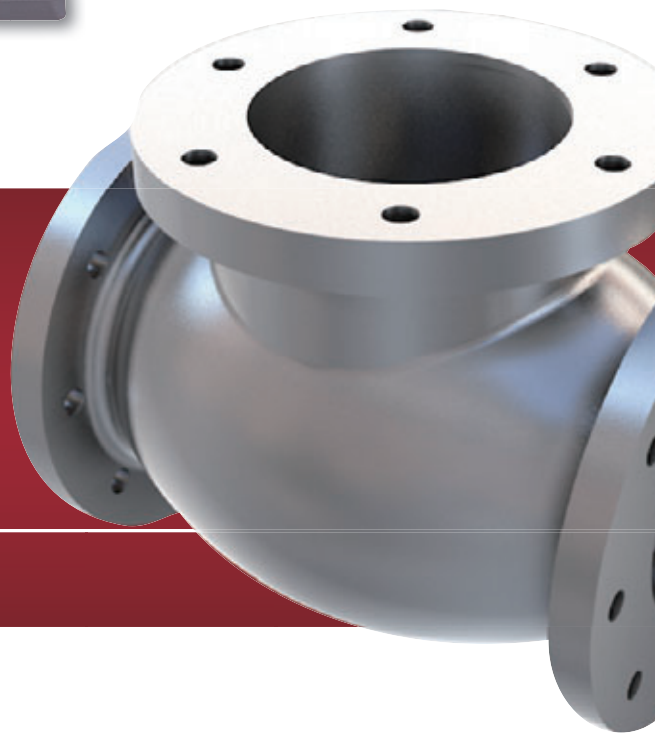
The first indexable drill in the market that uses double-sided inserts with six cutting edges to improve tool economy and productivity.



Chamfering adaptor

Valves & Frac Pumps

VALVE SOLUTIONS



■ MillLine
MILLQ^{UAP} FEED
TUNGALOY

Milling

The ultimate high-feed mill with versatility, endorsed by Tungaloy's longtime dedication in high-feed milling technology. The ideal tool and method for machining large components with long-reach tools like valves and housings.



■ MillLine
DO^{TRIPLE} MILL
TUNGALOY

Face Milling

Unique dovetail clamping structure and a triple advantage of using square, octagonal, and round inserts in the same pocket.



MillLine
TUNG TSHRED
TUNGALOY

Shoulder Milling

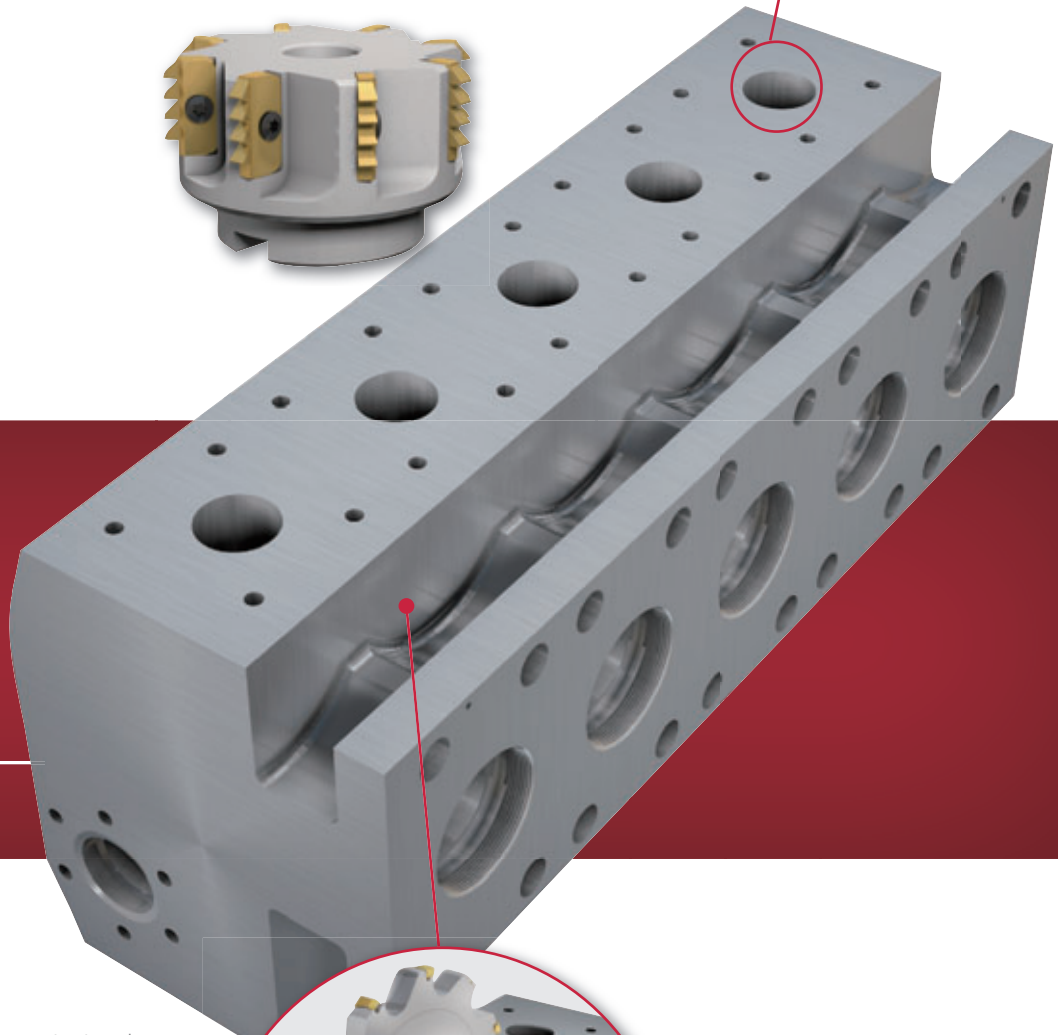
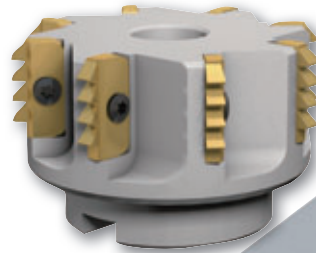
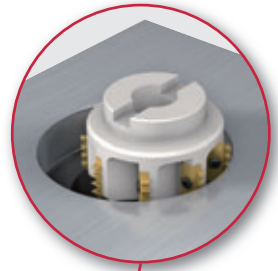
Long-flute milling cutter for roughing generates small chips to minimize chattering.



MillLine
TUNGTHREAD
TUNGALOY

Thread Milling

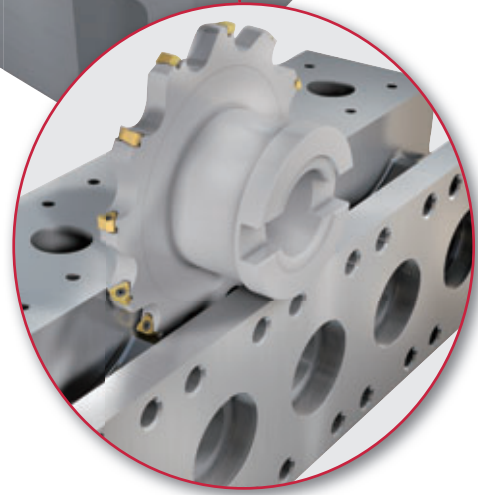
Indexable type thread mills with various types of thread profiles available to fit the same holder. Thread types are available in ISO-metric, Unified, and more. TungThread provides a flexible and capable approach for high-quality threaded holes on components that function deep underwater as well as at well heads and rigs.



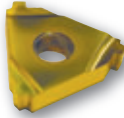
MillLine
TUNG UNIVERSAL USLOT
TUNGALOY

Slot Milling

The triangular insert creates chips with a constant curl, enabling smooth chip control and reduced cutting forces. A built-in wiper on the insert improves surface finish for accurate slot milling required on frac pump equipment.



External Threading

| | Holder | | Insert |
|---|------------|--|---------|
| Laydown single side  | CER_16 |  | 16ER_ |
| | CER_22 | | 22ER_ |
| | CER_27 | | 27ER_ |
| Laydown single side  | MTVNR_53 |  | L53_EXT |
| Laydown double side  | MTVNR_54 |  | LDS_54 |
| On edge  | STVOR_ |  | TNMC_ |
| On edge  | MTVOR_ |  | TNMA_ |
| Chaser  | CLVOR_ |  | CR_E |
| Tung T-clamp  | FL(A)SR_M3 |  | FLT_ |

Internal Threading

| Holder | | Insert | |
|--|---|--|---------|
| Laydown single side  | CNR_16 |  | 16IR_ |
| | CNR_22 | | 22IR_ |
| | CNR_27 | | 27IR_ |
| Head | | Shank | Insert |
| Laydown single side  | HS_LNFR_53 | S_570 | L53_INT |
| | Laydown double side  | HS_LNFR_54API | S_570 |
| On edge  | | HS_MTHOR | S_570_ |
| Holder | | Insert | |
| Chaser  | SI_CLHOR_ |  | CR_I |
| Head | | Shank | Insert |
| Tung T-clamp  | HS_FLER3W | S-570_ | FLT_ |

Scarfig

External



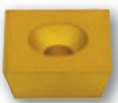
| Description | Tube Diameter | Thickness | Cutting edge length | R-Radius |
|---------------|---------------------|-----------|---------------------|----------|
| SPUB-63B-E | up to 7/8" | 3/16" | 3/4" | 0.475 |
| SPUB-63C-E | 7/8" - 1-1/8" | 3/16" | 3/4" | 0.590 |
| SPUB-63D-E | 1-1/8" - 1-1/2" | 3/16" | 3/4" | 0.785 |
| SPUB-63E-E | 1-1/2" - 1-7/8" | 3/16" | 3/4" | 0.985 |
| SPUB-63F-E | 1-7/8" - 2-1/4" | 3/16" | 3/4" | 1.180 |
| SPUB-63G-E | 2-1/4" - 3-1/8" | 3/16" | 3/4" | 1.575 |
| SPUB-63H-E | 3-1/8" - 3-7/8" | 3/16" | 3/4" | 1.970 |
| SPUB-63I-E | 3-7/8" - 4-7/8" | 3/16" | 3/4" | 2.470 |
| SPUB-63J-E | 4-7/8" - 5-7/8" | 3/16" | 3/4" | 2.970 |
| SPUB-63K-E | 5-7/8" - 6-7/8" | 3/16" | 3/4" | 3.470 |
| SPUB-63L-E | 6-7/8" - 7-7/8" | 3/16" | 3/4" | 3.970 |
| SPUB-63M-E | 7-7/8" and up 3/16" | 3/16" | 3/4" | None |
| SPUB-63B-30-E | - | 3/16" | 3/4" | None |

External



| Description | Tube Diameter | Thickness | Cutting edge length | R-Radius |
|---------------|-----------------|-----------|---------------------|----------|
| SQ86-14-0-E | - | 3/8" | 1.000 | 0.000 |
| SQ86-14-2.5-E | 3" - 4-3/4" | 3/8" | 1.000 | 2.500 |
| SQ86-10-3.4-E | 4-3/4" - 6-3/4" | 3/8" | 1.000 | 3.400 |
| SQ86-14-4.5-E | 6-3/4" - 8-3/4" | 3/8" | 1.000 | 4.500 |
| SQ86-10-9.5-E | 8-3/4" - 18" | 3/8" | 1.000 | 9.500 |

Internal



| Description | Tube Diameter | Thickness | Cutting edge length | R-Radius |
|---------------|-----------------|-----------|---------------------|----------|
| SQ86-14-0-I | - | 3/8" | 1.000 | 0.750 |
| SQ86-14-2.5-I | 3" - 4-3/4" | 3/8" | 1.000 | 1.000 |
| SQ86-10-3.4-I | 4-3/4" - 6-3/4" | 3/8" | 1.000 | 1.250 |

Internal

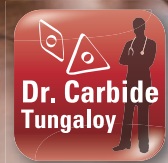
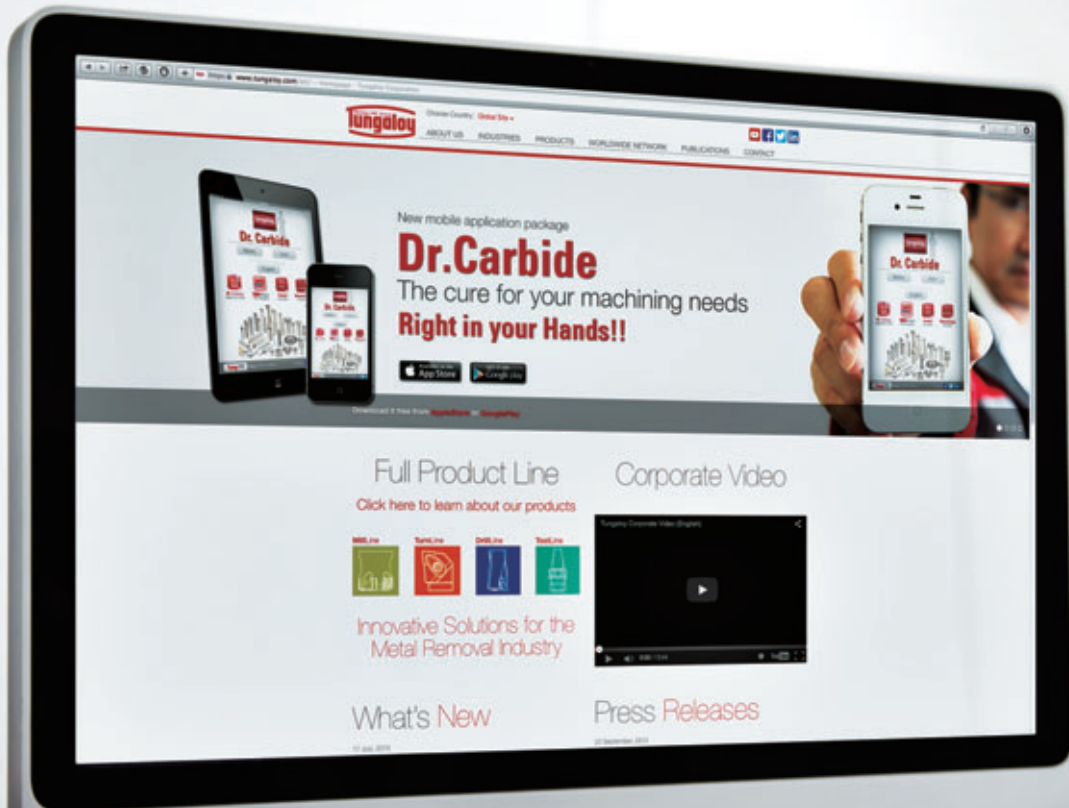


| Description | Int'll Tube Diameter |
|-------------|----------------------|
| IDR-2010 | 9/16" - 11/16" |
| IDR-2020 | 11/16" - 13/16" |
| IDR-2030 | 13/16" - 1-1/32" |
| IDR-2040 | 1-1/32" - 1-3/8" |
| IDR-2050 | 5/16" - 1-7/16" |
| IDR-2060 | 1-1/32" - 1-1/8" |
| IDR-2070 | 1-1/8" - 1-3/16" |
| IDR-2080 | 1-3/16" - 1-3/8" |

| Description | Int'll Tube Diameter |
|-------------|----------------------|
| IDR-2090 | 1-1/4" - 1-5/8" |
| IDR-2100 | 1-5/8" - 2" |
| IDR-2110 | 1-7/8" - 2-7/8" |
| IDR-2120 | 2-3/4" - 3-3/8" |
| IDR-2130 | 3-3/8" - 4" |
| IDR-2140 | 4" - 5" |
| IDR-2150 | 5" - 6-1/4" |
| IDR-2160 | 6" - 10-1/4" |

& G A S

Check our **site** and our **App** to get more info!



Available on the App Store



GET IT ON Google play

Tungaloy Corporation (Head office)

11-1 Yoshima-Kogyodanchi
Iwaki-city, Fukushima, 970-1144 Japan
Phone: +81-246-36-8501
Fax: +81-246-36-8542
www.tungaloy.co.jp

Tungaloy America, Inc.

3726 N Ventura Drive
Arlington Heights, IL 60004, U.S.A.
Phone: +1-888-554-8394
Fax: +1-888-554-8392
www.tungaloyamerica.com

Tungaloy Canada

432 Elgin St. Unit 3
Brantford, Ontario N3S 7P7, Canada
Phone: +1-519-758-5779
Fax: +1-519-758-5791
www.tungaloy.co.jp/ca

Tungaloy de Mexico S.A.

C Los Arellano 113,
Parque Industrial Siglo XXI
Aguascalientes, AGS, Mexico 20290
Phone: +52-449-929-5410
Fax: +52-449-929-5411
www.tungaloy.co.jp/mx

Tungaloy do Brasil Ltda.

Avd. Independencia N4158 Residencial Flora
13280-000 Vinhedo, São Paulo, Brasil
Phone: +55-19-38262757
Fax: +55-19-38262757
www.tungaloy.com/br

Tungaloy Germany GmbH

An der Alten Ziegelei 1
D-40789 Monheim, Germany
Phone: +49-2173-90420-0
Fax: +49-2173-90420-19
www.tungaloy.de

Tungaloy France S.A.S.

ZA Courtaboef - Le Rio
1 rue de la Terre de feu
F-91952 Courtaboef Cedex, France
Phone: +33-1-6486-4300
Fax: +33-1-6907-7817
www.tungaloy.fr

Tungaloy Italia S.r.l.

Via E. Andolfato 10
I-20126 Milano, Italy
Phone: +39-02-252012-1
Fax: +39-02-252012-65
www.tungaloy.it

Tungaloy Czech s.r.o.

Turanka 115
CZ-627 00 Brno, Czech Republic
Phone: +420-532 123 391
Fax: +420-532 123 392
www.tungaloy.cz

Tungaloy Ibérica S.L.

C/Miquel Servet, 43B, Nau 7
Pol. Ind. Bufalvent
ES-08243 Manresa (BCN), Spain
Phone: +34 93 113 1360
Fax: +34 93 876 2798
www.tungaloy.es

Tungaloy Scandinavia AB

Bultgatan 38
442 40 Kungälv, Sweden
Phone: +46-462119200
www.tungaloy.se

Tungaloy Rus, LLC

36-D Harkovsky Lane
308009 Belgorod, Russia
Phone: +7 4722 24 00 07
Fax: +7 4722 24 00 08
www.tungaloy.co.jp/ru

Tungaloy East LLC

Stachek str., h.4, office 2, Ekaterinburg,
620017, Russia
Phone: +7-343-389-13-22
Fax: +7-343-278-94-35
www.tungaloy.co.jp/rue

Tungaloy Polska Sp. z o.o.

ul. Genewska 24
03-963 Warszawa, Poland
Phone: +48-22-617-0890
Fax: +48-22-617-0890
www.tungaloy.co.jp/pl

Tungaloy U.K. Ltd

The Technology Centre,
Wolverhampton Science Park
Glaisher Drive, Wolverhampton
West Midlands WV10 9RU, UK
Phone: +44 121 4000 231
Fax: +44 121 270 9694
www.tungaloy.co.jp/uk
salesinfo@tungaloyuk.co.uk

Tungaloy Hungary Kft

Erzsébet királyné útja 125
H-1142 Budapest, Hungary
Phone: +36 1 781-6846
Fax: +36 1 781-6866
www.tungaloy.co.jp/hu
info@tungaloytools.hu

Tungaloy Turkey

Dudullu.OSB 4. Cad No:4
34776 Umraniye Istanbul, TURKEY
Phone: +90 216 540 04 67
Fax: +90 216 540 04 87
www.tungaloy.com.tr
info@tungaloy.com.tr

Tungaloy Benelux b.v.

Tjalk 70
NL-2411 NZ Bodegraven, Netherlands
Phone: +31 172 630 420
Fax: +31 172 630 429
www.tungaloy-benelux.com

Tungaloy Croatia

Josipa Kozarca 4
10432 Bregana, Croatia
Phone: +385 1 3326 604
Fax: +385 1 3327 683
www.tungaloy.hr

Tungaloy Cutting Tool (Shanghai) Co.,Ltd.

Rm No 401 No.88 Zhabei
Jiangchang No.3 Rd
Shanghai 200436, China
Phone: +86-21-3632-1880
Fax: +86-21-3621-1918
www.tungaloy.co.jp/tcts

Tungaloy Cutting Tool (Thailand) Co.,Ltd.

Interlink tower 4th Fl.
1858/5-7 Bangna-Trad Road
km.5 Bangna, Bangna, Bangkok 10260
Thailand
Phone: +66-2-751-5711
Fax: +66-2-751-5715
www.tungaloy.co.th

Tungaloy Singapore (Pte.), Ltd.

62 Ubi Road 1, #06-11 Oxley BizHub 2
Singapore 408734
Phone: +65-6391-1833
Fax: +65-6299-4557
www.tungaloy.co.jp/tspl

Tungaloy Vietnam

Unit 18, 4th Fl. Saigon Centre Building
65 Le Loi Blvd.
Dist 1, Ho Chi Minh City, Vietnam
Phone: +84-8-3827-0201
Fax: +84-8-3827-0203
www.tungaloy.co.jp/tspl

Tungaloy India Pvt. Ltd.

Indiabulls Finance Centre,
Unit # 902-A, 9th Floor,
Tower 1, Senapati Bapat Marg,
Elphinstone Road (West),
Mumbai-400013, India
Phone: +91-22-6124-8804
Fax: +91-22-6124-8899
www.tungaloy.co.jp/in

Tungaloy Korea Co., Ltd

#1312, Byucksan Digital Valley 5-cha
Beotkkot-ro 244, Geumcheon-gu
153-788 Seoul, Korea
Phone: +82-2-2621-6161
Fax: +82-2-6393-8952
www.tungaloy.co.jp/kr

Tungaloy Malaysia Sdn Bhd

50 K-2, Kelana Mall, Jalan SS6/14
Kelana Jaya, 47301
Petaling Jaya, Selangor Darul Ehsan
Malaysia
Phone: +603-7805-3222
Fax: +603-7804-8563
www.tungaloy.com.my

Tungaloy Australia Pty Ltd

PO Box 2232, Rowville,
Victoria 3178, Australia
Phone: +61-3-9755-8147
Fax: +61-3-9755-6070
www.tungaloy.com.au

PT. Tungaloy Indonesia

Kompleks Grand Wisata Block AA-10 No.3-5
Cibitung
Bekasi 17510, Indonesia
Phone: +62-21-8261-5808
Fax: +62-21-8261-5809
www.tungaloy.co.jp/id



www.tungaloy.com

follow us at:
facebook.com/tungaloyjapan
twitter.com/tungaloyjapan

To see this product in action visit:

Tung-TV

www.youtube.com/tungaloycorporation

Distributed by:



DOWNLOAD
Dr. Carbide App



Available on the
App Store



GET IT ON
Google play



AS9100 Certified
78006
2015.11.04
ISO14001 Certified
EC97J1123
1997.11.26